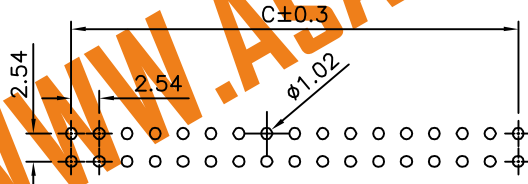
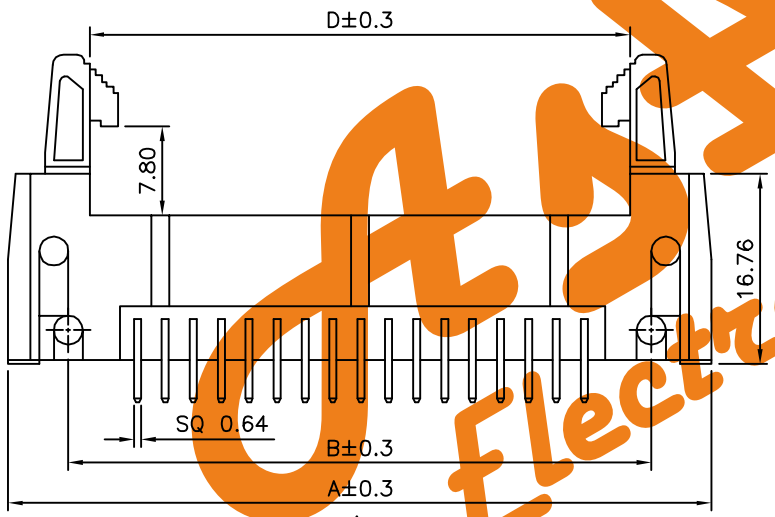
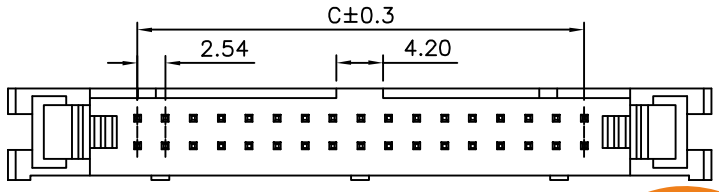
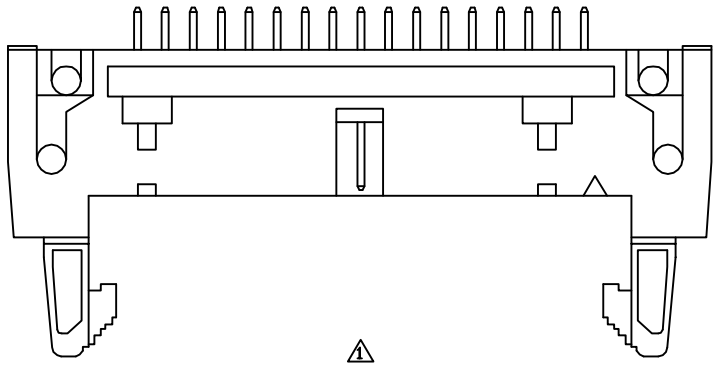
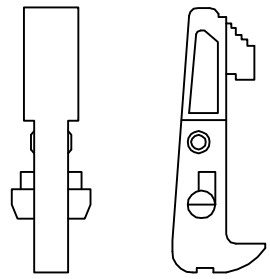


△ SPECIFICATION

Current Rating:1.5 Amp
 Dielectric Withstanding Voltage:500V AC
 Contact Resistance:10 Milliohms Max.
 Insulation Resistance:1000 Megohms Min.
 Operation Temperature:-40°C~+105°C
 Housing:PBT(UL94V-0),Black
 Contact:Brass,Gold Flash Over Nickel
 RoHS Compliant



△ Recommended P.C.B. Layout



△ New Ejector

△ Pin	A	B	C	D
10	32.00	21.84	10.16	17.96
14	37.08	26.92	15.24	23.04
16	39.62	29.46	17.78	25.58
20	44.70	34.54	22.86	30.33
24	49.78	39.62	27.94	35.74
26	52.32	42.16	30.48	38.28
30	57.40	47.24	35.56	43.36
34	62.48	52.32	40.64	48.44
40	70.10	59.94	48.26	56.06
50	82.80	72.64	60.96	68.76
60	95.50	85.34	73.66	81.46
64	100.58	90.42	78.74	86.54

AsA Electronic Co.
 WWW.AsA-Elec.com
 Tel : (+98) 21 66 73 56 82 Mob : (+98) 912 03 161 02

DRAWING No.		APPROVED BY EMILY	
		CHECKED BY HZ	
		DRAWING BY SONG	
SCALE	NONE	REV.	A1

UNLESS OTHERWISE SPECIFIED TOLERANCES ARE
 △.X ±0.50 X.' ±2.0°
 .XX ±0.20 .X' ±1.0°
 .XXX ±0.10 .XX' ±0.5°

UNIT mm

NO.	REV.	REVISIONS	CHK	DATE
△ A1		Modify Data	HZF	11/15/2012
△ A0		NEW RELEASE		